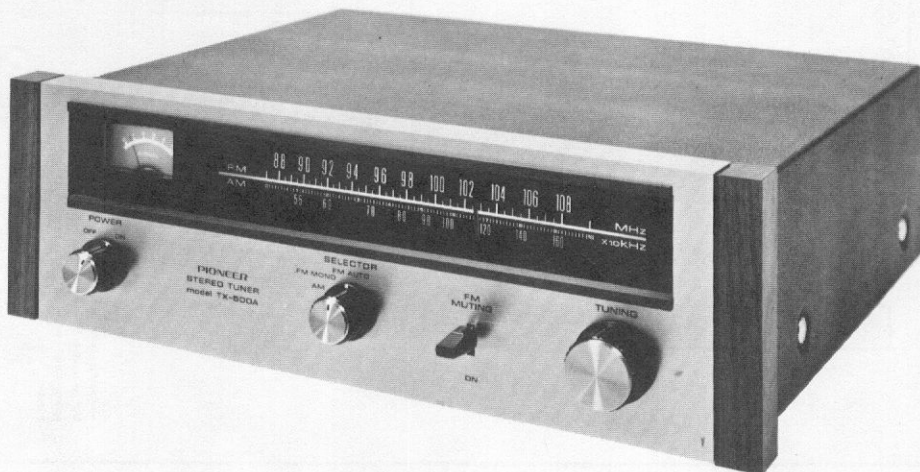
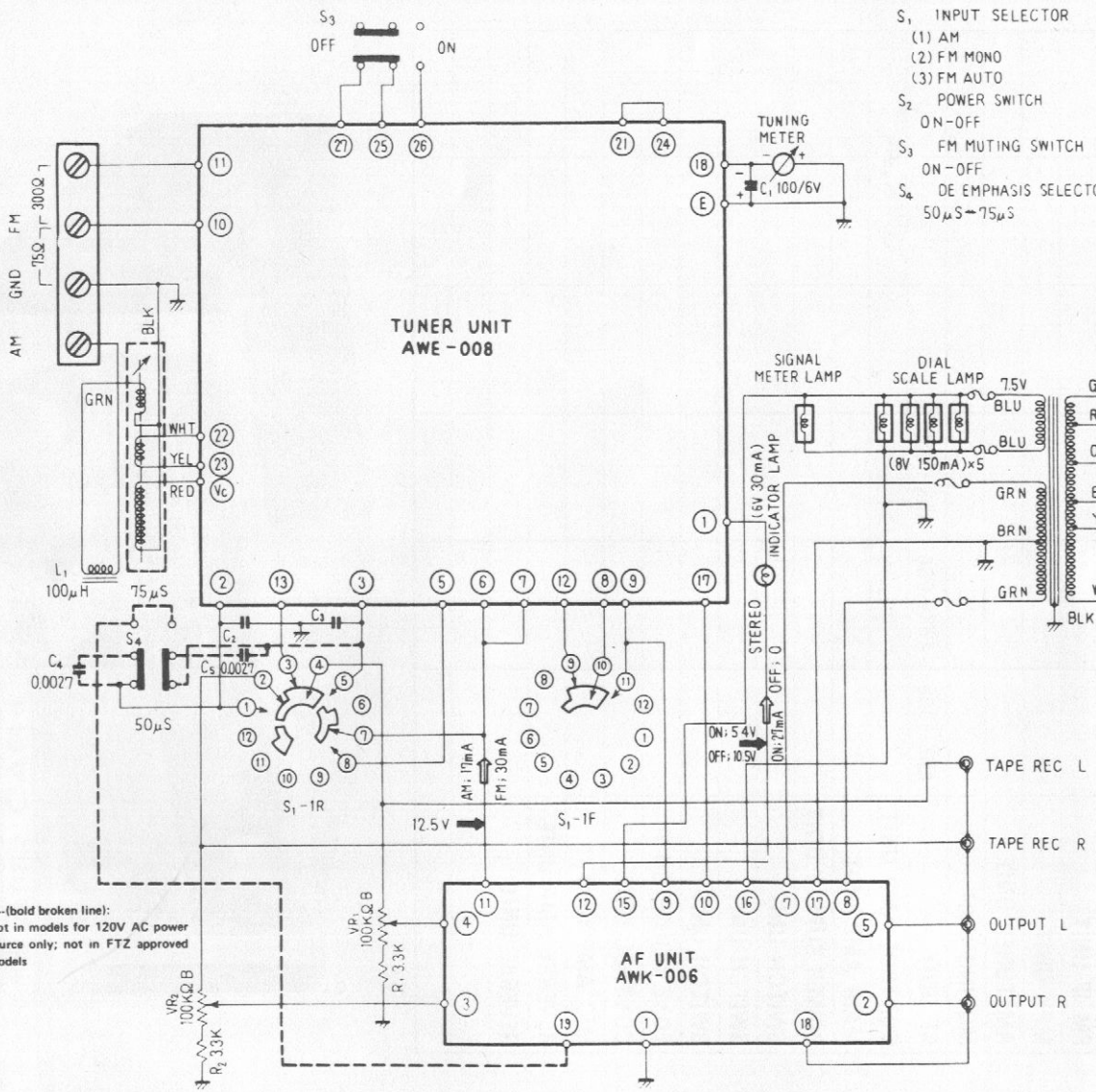


## AM/FM STEREO TUNER TX-500A

UNIT \ ROUND LABEL	F	FVZ	K			
TUNER UNIT	AWE-008	AWE-008	AWE-008			
FM FRONT END						
FM IF UNIT						
MPX UNIT						
AM TUNER UNIT						
MUTING UNIT						
AF UNIT	AWK-006	AWK-006	AWK-006			
CONTROL AMP UNIT						
MAIN AMP UNIT						
POWER SUPPLY UNIT						
SWITCH UNIT						
SWITCH UNIT						
SWITCH UNIT						
TONE COLOR UNIT						
CONTROL UNIT						
MIC AMP UNIT						
REVERBE AMP UNIT						
REVERBE UNIT						



# TX-500A

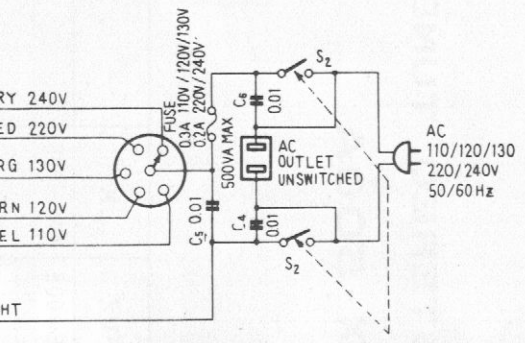


- S<sub>1</sub> INPUT SELECTOR
  - (1) AM
  - (2) FM MONO
  - (3) FM AUTO
- S<sub>2</sub> POWER SWITCH
  - ON-OFF
- S<sub>3</sub> FM MUTING SWITCH
  - ON-OFF
- S<sub>4</sub> DE EMPHASIS SELECTOR
  - 50 $\mu$ S-75 $\mu$ S

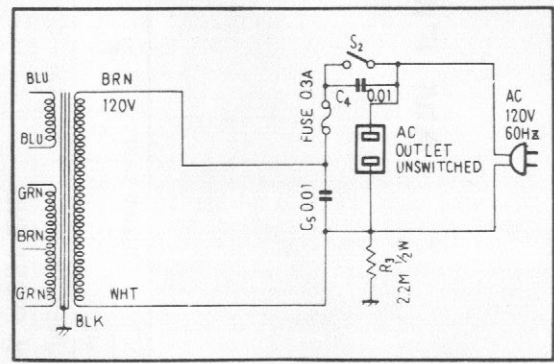
- VR<sub>1</sub> OUTPUT LEVEL CONTROL
  - L. CHANNEL
- VR<sub>2</sub> OUTPUT LEVEL CONTROL
  - R. CHANNEL

CAPACITORS  
NON MARK :  $\mu$ F

RESISTORS  
NON MARK : OHM  
K : KILOHM  
M : MEGOHM

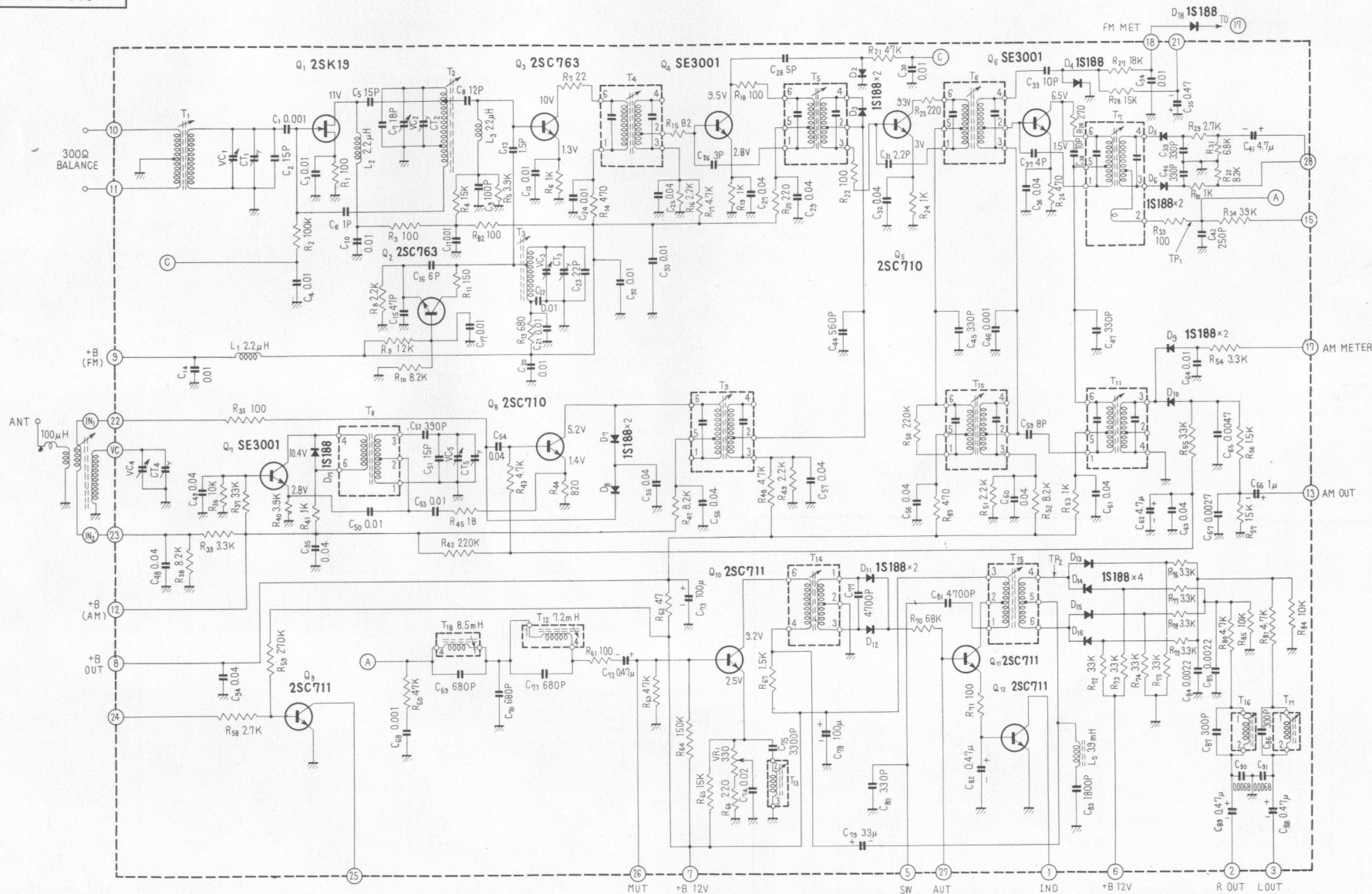


↔ DC CURRENT  
↔ DC VOLTAGE for K model



—(bold broken line):  
Not in models for 120V AC power source only; not in FTZ approved models

Power supply circuit for 120V AC only.



CAPACITORS  
 µF UNLESS NOTED  
 P; pF

RESISTORS  
 OHM UNLESS NOTED  
 K: KILOHM  
 M: MEGOHM

CURRENT (at +B = 12V)  
 I<sub>AM</sub> = 16mA  
 I<sub>FM MONO</sub> = 22mA  
 I<sub>FM STEREO</sub> = 28mA  
 I<sub>MAX</sub> = 33mA

# AF UNIT

AF UNIT

AWK - 006

